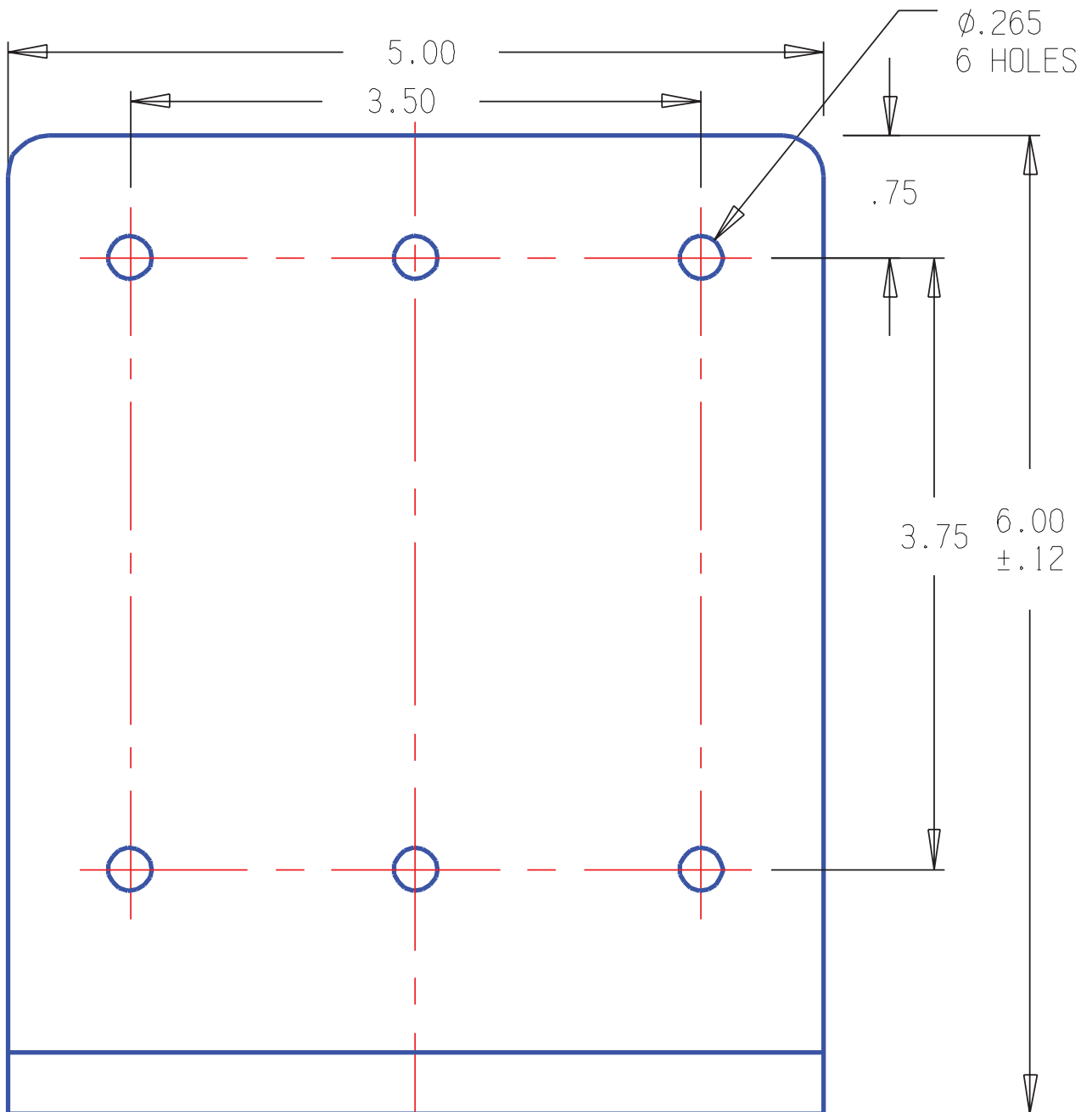




**MOUNTING INSTRUCTIONS**  
**106-205 MOUNTING BRACKET**



**IMPORTANT**  
For best results, insert four (4) #14 x 2-1/2" Hex Washer  
Head, Slotted Screws



**Verify dimensional scale as printing may cause variance**