



AMERICAN MADE

# BDS



## SEATING SOLUTIONS

- 
- Adjustable height
  - Adjustable backrest
  - Adjustable torso support



Model  
AT-96

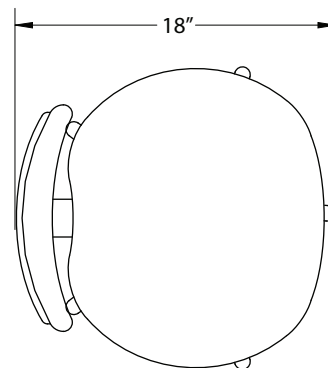
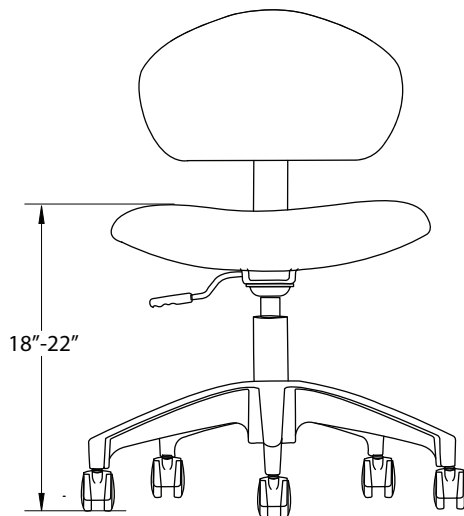
# SEATING SOLUTIONS

The BDS commitment to comfortable, reliable, and durable seating does not stop with the patient. BDS knows that trouble-free seating keeps improves productivity, so we offer simple seating for both Doctors and assistants. Our Doctor's stool provides

Model  
**DR-96**



Model  
**DR-97**

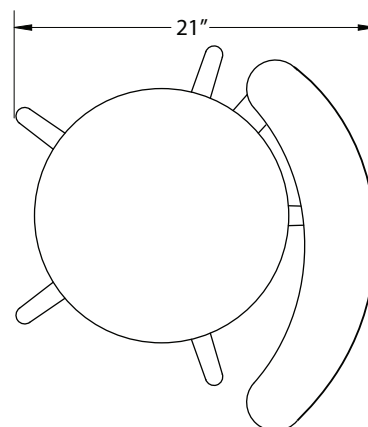
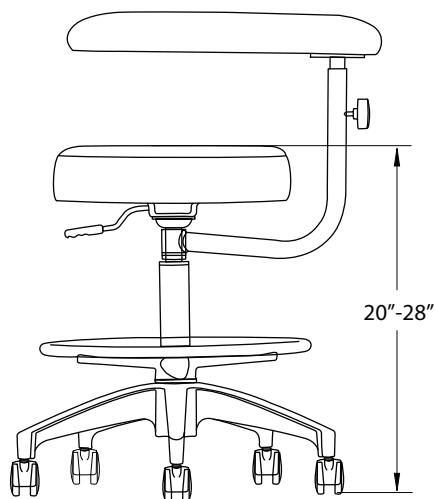


an adjustable backrest, and the Assistant's stool utilizes an adjustable torso support, while both include height adjustment. With BDS seating in the operatory, everyone is comfortable, and the job gets done.

Model  
AT-96



Model  
AT-97



503-538-8756

info@beaverstatedental.com

FEATURES OF OPERATORY STOOLS	DR-96	AT-96	DR-97	AT-97
Contoured seamless seat	■			■
Round seat, 15-1/2" x 4"		■		
Round seat, 15-1/2" x 4"	■		■	
Contoured seamless semi-rectangular back upright	■			
Contoured seamless oval back			■	
Chrome plated, full padded body support		■		■
Chrome plated, pneumatic cylinder with height adjustment, 18"-22"	■		■	
Chrome plated, pneumatic cylinder with height adjustment, 20"-28"		■		■
5-leg, powder coated base	■	■	■	■
Twin wheel casters	■	■	■	■
Adjustable foot ring		■		■
Standard Nauga Soft upholstery	■	■	■	■
VContoured seamless seat with tilt			■	
Chrome plated back upright with tilt			■	
Ratcheting body support				■
<b>OPTIONS OF OPERATORY STOOLS</b>				
Ratcheting body support with plastic cover		■		
Hard floor casters, set of 5	■	■	■	■
Additional upholstery options may be available upon request	■	■	■	■
Ultraleather (in lieu of standard upholstery)	■	■	■	■
Taller cylinders available upon request	■	■	■	■



www.bdsystems.us  
 115 S. Elliott Road, Newberg, OR 97132  
 800.237.2303

503-538-8756  
 info@beaverstatedental.com