



Service Manual

A-4500

Assistant's Cart

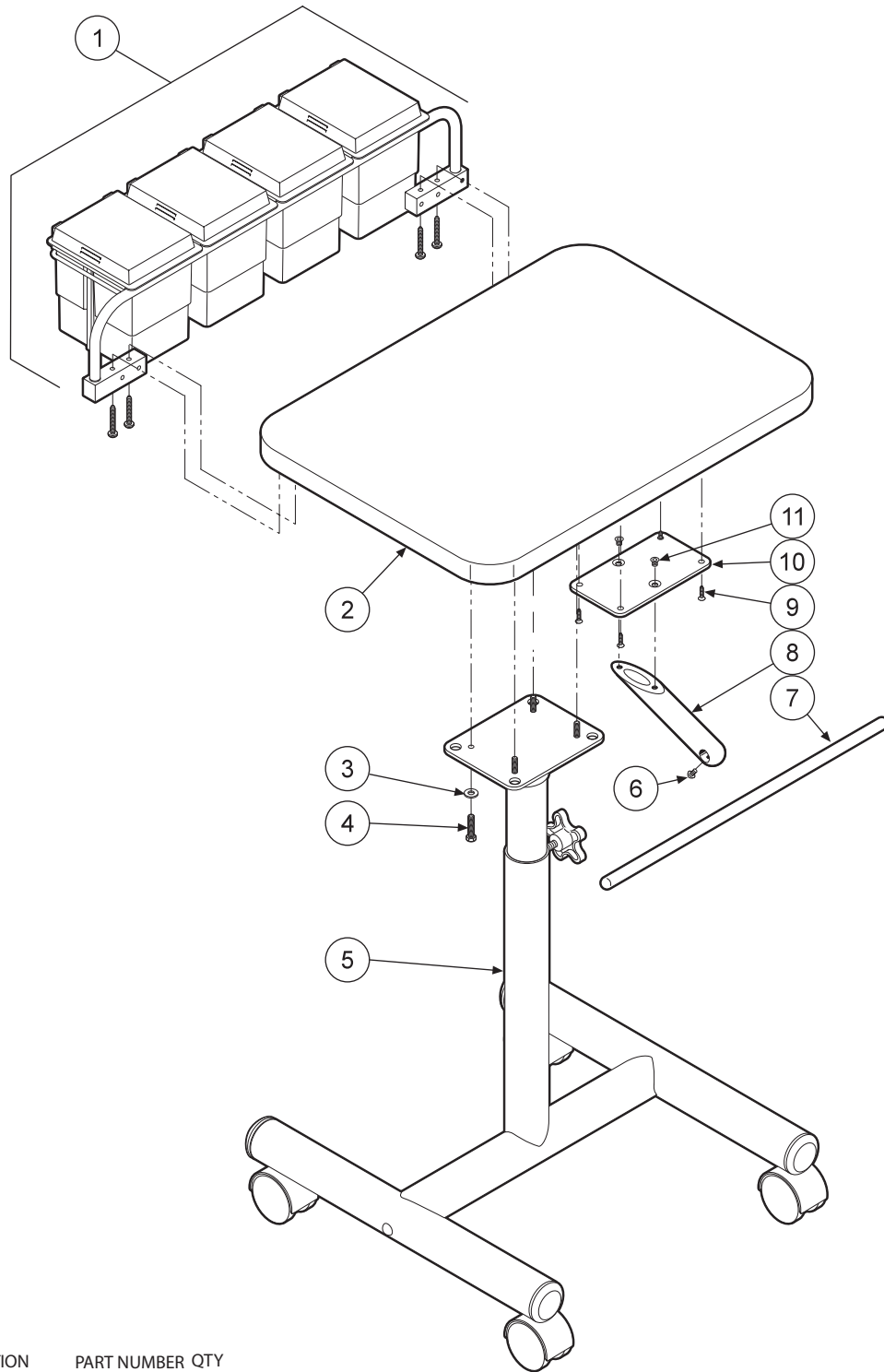
A-4500

Installation

1. Place the shipping carton in the desired location and open the carton.
2. Tilt the carton so that the casters rest on the floor. Slide the cart out of the carton.
3. Mount the storage organizer frame to the working surface. Place the storage bins in the metal loops.
4. Model 4550 only. Feed the supply tubings from the umbilical through the 1-1/4" hole in the utility center housing. Screw in the spiral tubing to act as a strain relief.
5. Model 4550 only. Connect the supply tubings to the appropriate air, water and vacuum supply lines.

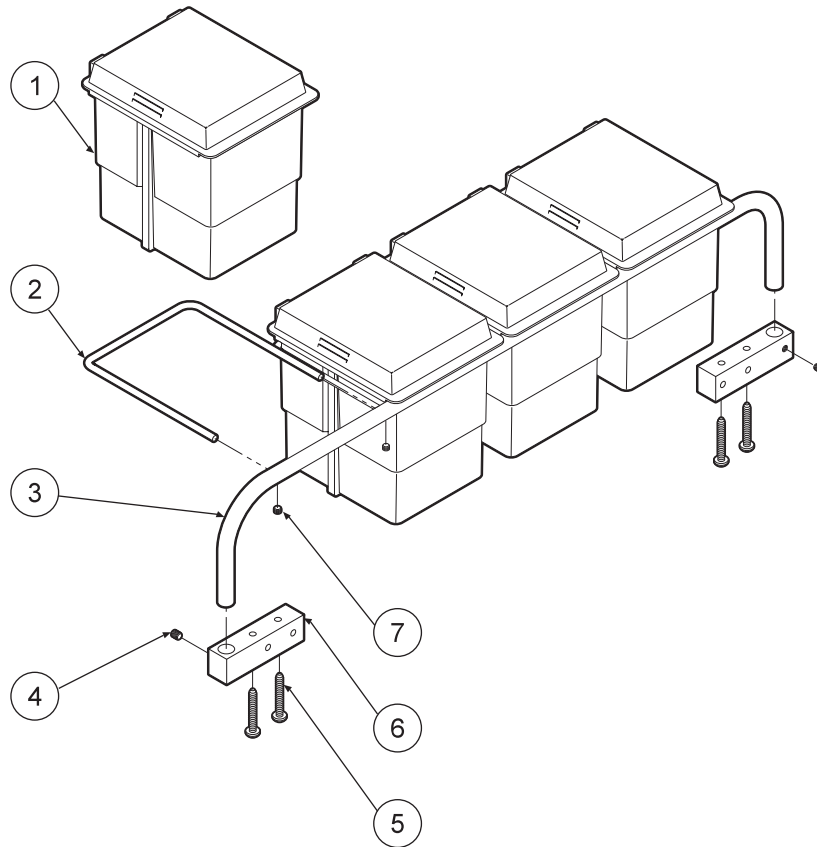
Final Adjustments

Check air pressure, adjust to 80 psi if necessary.
Check water pressure, adjust to 40 psi if necessary.
Test syringe for proper pressure and function.
Test HVE and Saliva Ejector valve for proper function (A-4550 only).

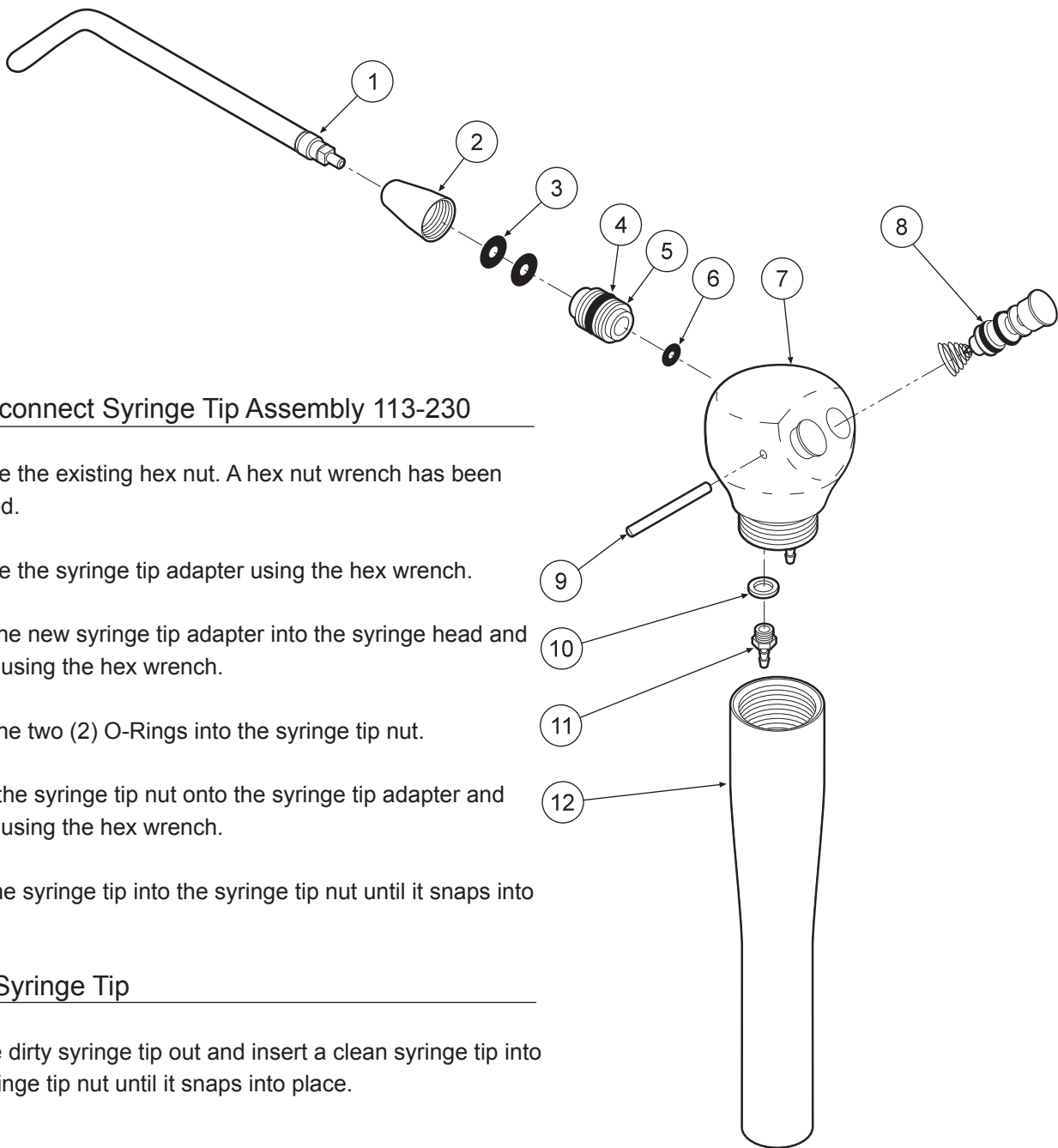


| ITEM | PART DESCRIPTION | PART NUMBER | QTY |
|------|---------------------------------|-------------|-----|
| 1 | Storage Organizer Assembly..... | 110-016 | 1 |
| 2 | Cart Top 16" x 22" | 101-113 | 1 |
| 3 | Lock Washer #6..... | 003-033 | 4 |
| 4 | Screw, 14-20 x 7/8"..... | 001-022 | 4 |
| 5 | Cart Frame..... | 108-016 | 1 |
| 6 | Screw, 10-32 x 3/8"..... | 001-070 | 1 |
| 7 | Holder Bar 16"..... | 107-075 | 1 |
| 8 | Holder Bar Mount..... | 107-007 | 1 |
| 9 | Screw, #10 x 3/4"..... | 001-167 | 4 |
| 10 | Mounting Plate | 107-008 | 1 |
| 11 | Screw, 10-32 x 3/8"..... | 001-088 | 2 |

**ASSISTANT'S CART
A-4500**



| ITEM | PART DESCRIPTION | PART NUMBER | QTY |
|------|--------------------------------|-------------|-----|
| 1 | Storage Bin | 110-015 | 4 |
| 2 | Storage Bin Loop | 110-018 | 4 |
| 3 | Main Bar..... | 110-017 | 1 |
| 4 | Set Screw, 10-32 x 3/16" | 005-005 | 2 |
| 5 | Screw, #10 x 1-1/4" | 001-144 | 4 |
| 6 | Mounting Block..... | 110-019 | 2 |
| 7 | Set Screw, 6-32 x 3/16" | 005-031 | 8 |



Quick-disconnect Syringe Tip Assembly 113-230

1. Remove the existing hex nut. A hex nut wrench has been provided.
2. Remove the syringe tip adapter using the hex wrench.
3. Insert the new syringe tip adapter into the syringe head and tighten using the hex wrench.
4. Place the two (2) O-Rings into the syringe tip nut.
5. Screw the syringe tip nut onto the syringe tip adapter and tighten using the hex wrench.
6. Push the syringe tip into the syringe tip nut until it snaps into place.

Replace Syringe Tip

1. Pull the dirty syringe tip out and insert a clean syringe tip into the syringe tip nut until it snaps into place.

| ITEM | PART DESCRIPTION | PART NUMBER | QTY |
|------|---------------------------------|-------------|-----|
| 1 | Syringe Tip | 113-030 | 1 |
| 2 | Syringe Tip Nut..... | 113-402 | 1 |
| 3 | O-Ring, 006 | 017-006 | 2 |
| 4 | O-Ring, 228-040..... | 017-023 | 1 |
| 5 | Syringe Tip Adapter..... | 113-227 | 1 |
| 6 | O-Ring, 003 | 017-003 | 1 |
| 7 | Syringe Head..... | 113-405 | 1 |
| 8 | Syringe Button Repair Kit | 113-403 | 2 |
| 9 | Pin, Syringe Cartridge | 113-008 | 1 |
| 10 | Plastic Washer, 8-32..... | 003-030 | 2 |
| 11 | Barb, 8-32 x 1/16" | 022-040 | 2 |
| 12 | Syringe Handle..... | 113-236 | 1 |

WARRANTY

BDS warrants its product to be free of defects in material and workmanship for SEVEN FULL YEARS from the date of purchase on all units. Auto-blocks and standard foot controls are covered by a LIFETIME warranty when factory installed as part of a complete dental system. Upholstery has a TWO YEAR warranty and does not cover normal wear, stains, cuts or tears. Our LED lights have a FIVE year Warranty and our halogen light has a ONE year Warranty. Operatory chair motors feature a TEN year warranty. All warranty is limited to repair or replacement by BDS. Products returned to the factory and determined to be defective will be repaired or replaced free of charge at discretion of BDS. The warranty does not cover light bulbs, electrical components and trimmed or installed tubing. BDS reserves the right to void all warranties if any product is installed by other than an authorized technician. BDS' warranty does not cover damage to any surface finish, including but not limited to, discoloration or abrasion from cleaners, disinfectants or light sources. No claim for labor or consequential damages will be allowed. Return items must include a copy of the invoice or packing slip as proof of purchase.

**Beaverstate Dental Inc.
115 S. Elliott Rd.
Newberg, OR 97132
800-237-2303
503-538-8756
503-538-2845 Fax
www.beaverstatedental.com**
