



BEAVERSTATE DENTAL SYSTEMS

Service Manual

A-4550

Assistant's Cart with Vacuum

Installation

1. Place the shipping carton in the desired location and open the carton.
2. Tilt the carton so that the casters rest on the floor. Slide the cart out of the carton.
3. Mount the storage organizer frame to the working surface. Place the storage bins in the metal loops.
4. Model 4550 only. Feed the supply tubings from the umbilical through the 1-1/4" hole in the utility center housing. Screw in the spiral tubing to act as a strain relief.
5. Model 4550 only. Connect the supply tubings to the appropriate air, water and vacuum supply lines.

Final Adjustments

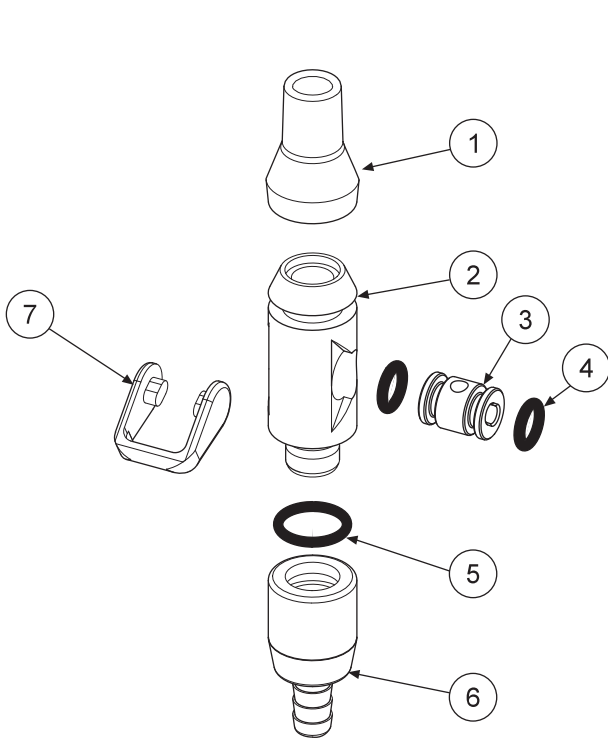
- Check air pressure, adjust to 80 psi if necessary.
- Check water pressure, adjust to 40 psi if necessary.
- Test syringe for proper pressure and function.
- Test HVE and Saliva Ejector valve for proper function (A-4550 only).

Autoclavable HVE & S/E Valves

Maintenance Autoclavable vacuum valves may be autoclaved by steam autoclave or a chemical vapor. Due to the tight clearances and hardness of the anodized surfaces, the valve spool can become jammed or seize in the valve if it is sterilized while contaminated with debris.

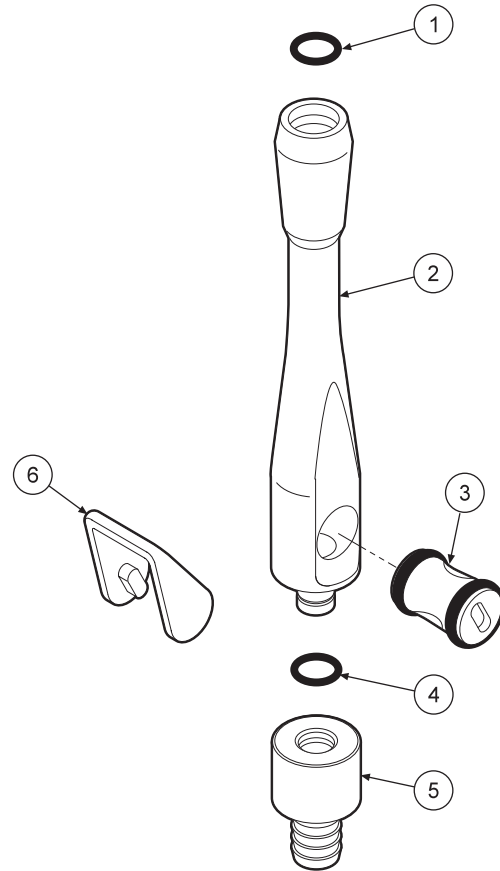
Valves can be quickly disassembled for cleaning.

1. Pry one side of the lever and flip it off of the valve. For saliva ejector valves, remove the tip also.
2. Push out the valve spool and clean all the disassembled parts in an ultrasonic cleaner daily. *Rinse thoroughly before putting into autoclave.*
3. Lubricate the O-Rings on the spool with a silicone based lubricant before reassembly.



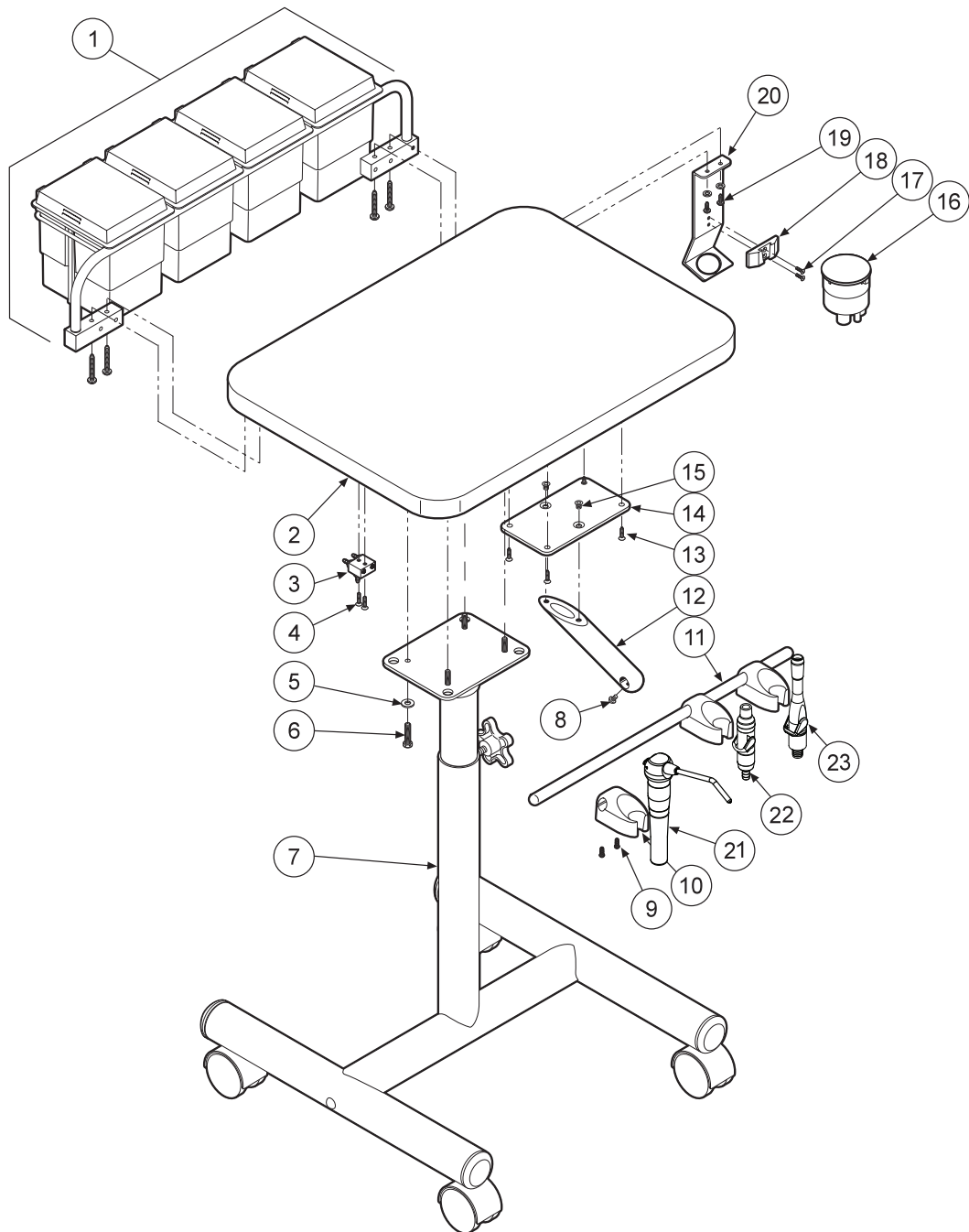
ITEM	PART DESCRIPTION	PART NUMBER	QTY
1	Tip.....	112-174	1
2	Body.....	112-276	1
3	Spool.....	112-278	1
4	O-Ring #10.....	017-110	2
5	O-Ring, #12.....	017-012	1
6	Swivel.....	112-177	1
7	Lever.....	112-181	1

AUTOCLAVABLE S/E LEVER VALVE
112-280



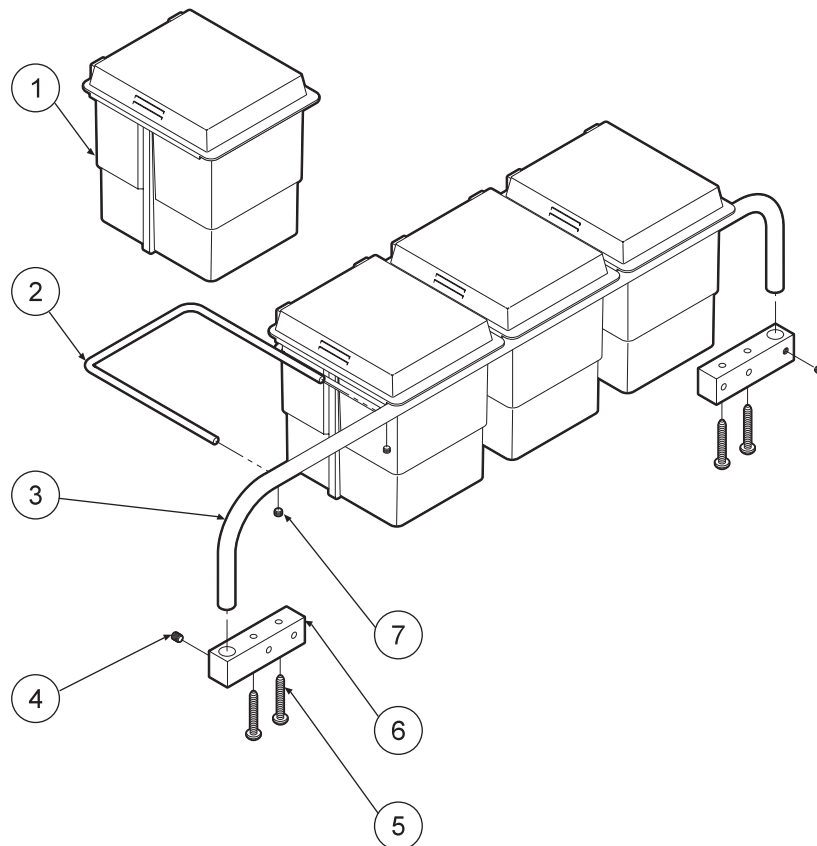
ITEM	PART DESCRIPTION	PART NUMBER	QTY
1	O-Ring, #13.....	017-113	3
2	Body, Chrome.....	112-272	1
3	Spool, Chrome.....	112-268	1
4	O-Ring, #13.....	017-013	1
5	Swivel.....	112-170	1
6	Lever.....	112-169	1

AUTOCLAVABLE UNIVERSAL HVE VALVE
112-263



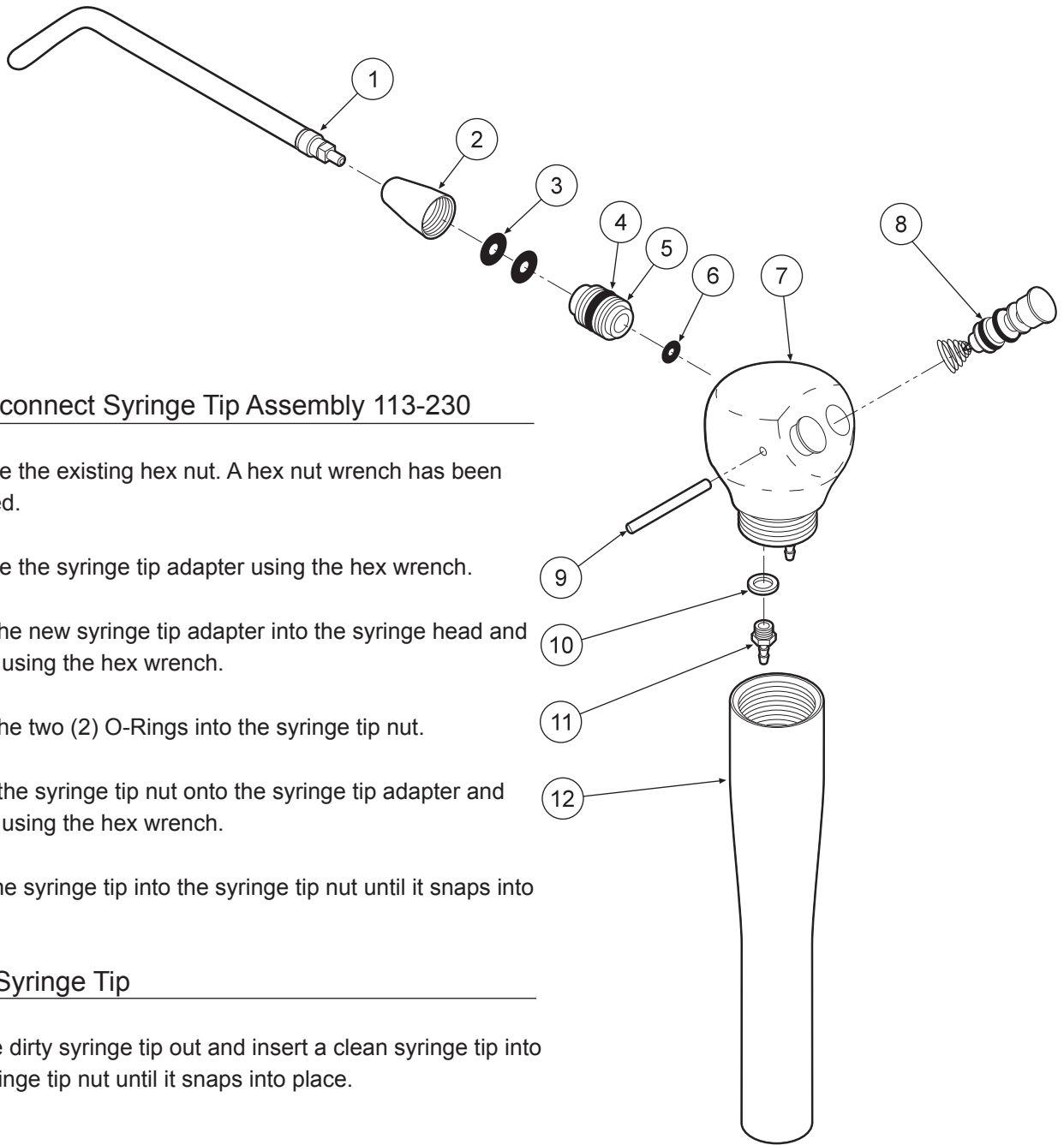
ITEM	PART DESCRIPTION	PART NUMBER	QTY	ITEM	PART DESCRIPTION	PART NUMBER	QTY	ITEM	PART DESCRIPTION	PART NUMBER	QTY
1	Storage Organizer.....	110-016	1	9	Screw #8 x 1/2".....	001-018	6	17	Screw, 8-32 x 1/4".....	001-003	2
2	Cart Top.....	101-113	1	10	Universal Holder.....	141-200	3	18	Cannister Mounting Bracket.....	131-038	1
3	Syringe Block.....	113-026	1	11	Holder Bar.....	107-075	1	19	Screw, #10 x 5/8".....	001-167	2
4	Screw #6 x 3/4".....	001-063	2	12	Holder Bar Mount.....	107-007	1	20	Mounting Bracket.....	131-034	1
5	Lock washer #6.....	003-033	4	13	Screw, #10 x 1 1/4".....	001-144	4	21	Syringe.....	113-400	1
6	Screw 14-20 x 7/8".....	001-022	4	14	Mounting Plate.....	107-008	1	22	Autoclavable S/E Valve.....	112-280	1
7	Cart Frame.....	108-016	1	15	Screw, #10 x 3/8".....	001-088	3	23	Autoclavable Universal HVE Valve.....	112-263	1
8	Screw, 10-32 x 3/8".....	001-070	2	16	Vacuum Cannister.....	131-035	1				

**ASSISTANT'S CART with VACUUM
A-4550**



ITEM	PART DESCRIPTION	PART NUMBER	QTY
1	Storage Bin	110-015	4
2	Storage Bin Loop	110-018	4
3	Main Bar.....	110-017	1
4	Set Screw, 10-32 x 3/16"	005-005	2
5	Screw, #10 x 1-1/4"	001-144	4
6	Mounting Block.....	110-019	2
7	Set Screw, 6-32 x 3/16".....	005-031	8

STORAGE ORGANIZER
110-016



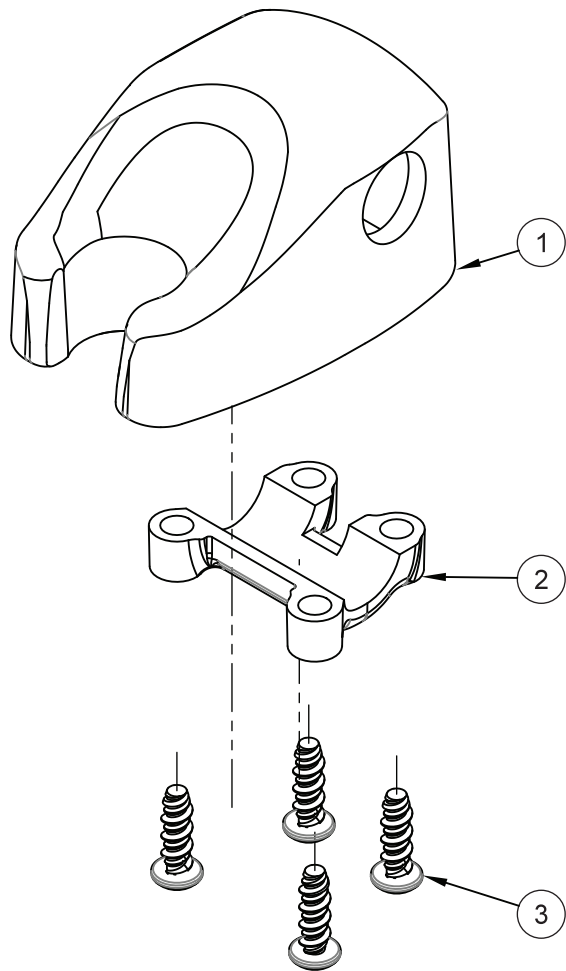
Quick-disconnect Syringe Tip Assembly 113-230

1. Remove the existing hex nut. A hex nut wrench has been provided.
2. Remove the syringe tip adapter using the hex wrench.
3. Insert the new syringe tip adapter into the syringe head and tighten using the hex wrench.
4. Place the two (2) O-Rings into the syringe tip nut.
5. Screw the syringe tip nut onto the syringe tip adapter and tighten using the hex wrench.
6. Push the syringe tip into the syringe tip nut until it snaps into place.

Replace Syringe Tip

1. Pull the dirty syringe tip out and insert a clean syringe tip into the syringe tip nut until it snaps into place.

ITEM	PART DESCRIPTION	PART NUMBER	QTY
1	Syringe Tip	113-030	1
2	Syringe Tip Nut.....	113-402	1
3	O-Ring, 006	017-006	2
4	O-Ring, 228-040	017-023	1
5	Syringe Tip Adapter.....	113-227	1
6	O-Ring, 003	017-003	1
7	Syringe Head.....	113-405	1
8	Syringe Button Repair Kit	113-403	2
9	Pin, Syringe Cartridge	113-008	1
10	Plastic Washer, 8-32.....	003-030	2
11	Barb, 8-32 x 1/16"	022-040	2
12	Syringe Handle.....	113-236	1



ITEM	PART DESCRIPTION	PART NUMBER	QTY
1	Molded Body.....	141-201	1
2	Clamp	122-204	1
3	Screw, 8-32 x 1/2".....	001-267	4

MOLDED IC UNIVERSAL HOLDER
141-200

WARRANTY

BDS warrants its product to be free of defects in material and workmanship for SEVEN FULL YEARS from the date of purchase on all units. Auto-blocks and standard foot controls are covered by a LIFETIME warranty when factory installed as part of a complete dental system. Upholstery has a TWO YEAR warranty and does not cover normal wear, stains, cuts or tears. Our LED lights have a FIVE year Warranty and our halogen light has a ONE year Warranty. Operator chair motors feature a TEN year warranty. All warranty is limited to repair or replacement by BDS. Products returned to the factory and determined to be defective will be repaired or replaced free of charge at discretion of BDS. The warranty does not cover light bulbs, electrical components and trimmed or installed tubing. BDS reserves the right to void all warranties if any product is installed by other than an authorized technician. BDS' warranty does not cover damage to any surface finish, including but not limited to, discoloration or abrasion from cleaners, disinfectants or light sources. No claim for labor or consequential damages will be allowed. Return items must include a copy of the invoice or packing slip as proof of purchase.

**Beaverstate Dental Inc.
115 S. Elliott Rd.
Newberg, OR 97132
800-237-2303
503-538-8756
503-538-2845 Fax
www.beaverstatedental.com**
