



**BEAVERSTATE DENTAL SYSTEMS**

# **Service Manual**

## **106-223**

Post Mount Flex Arm System

w/ Friction Brake and Tray

## Installation

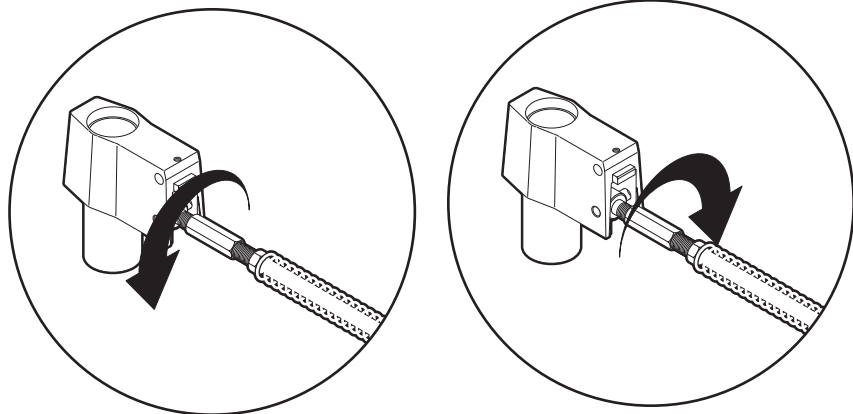
1. Place the shipping carton in the desired location. Remove the tray with arm system and unit/light post (if ordered) from the shipping carton.
2. Insert the unit/light post into the chair adapter hub as designated by label on light post which states "Adapter This Side." Level, then tighten the set screws to secure the post in place.
3. Slide the arm stop collar and washer down the post. Tighten the set screws to secure the stop collar at the desired height.
4. Slide the tray with arm system down the post until it rests on the stop collar and washer.

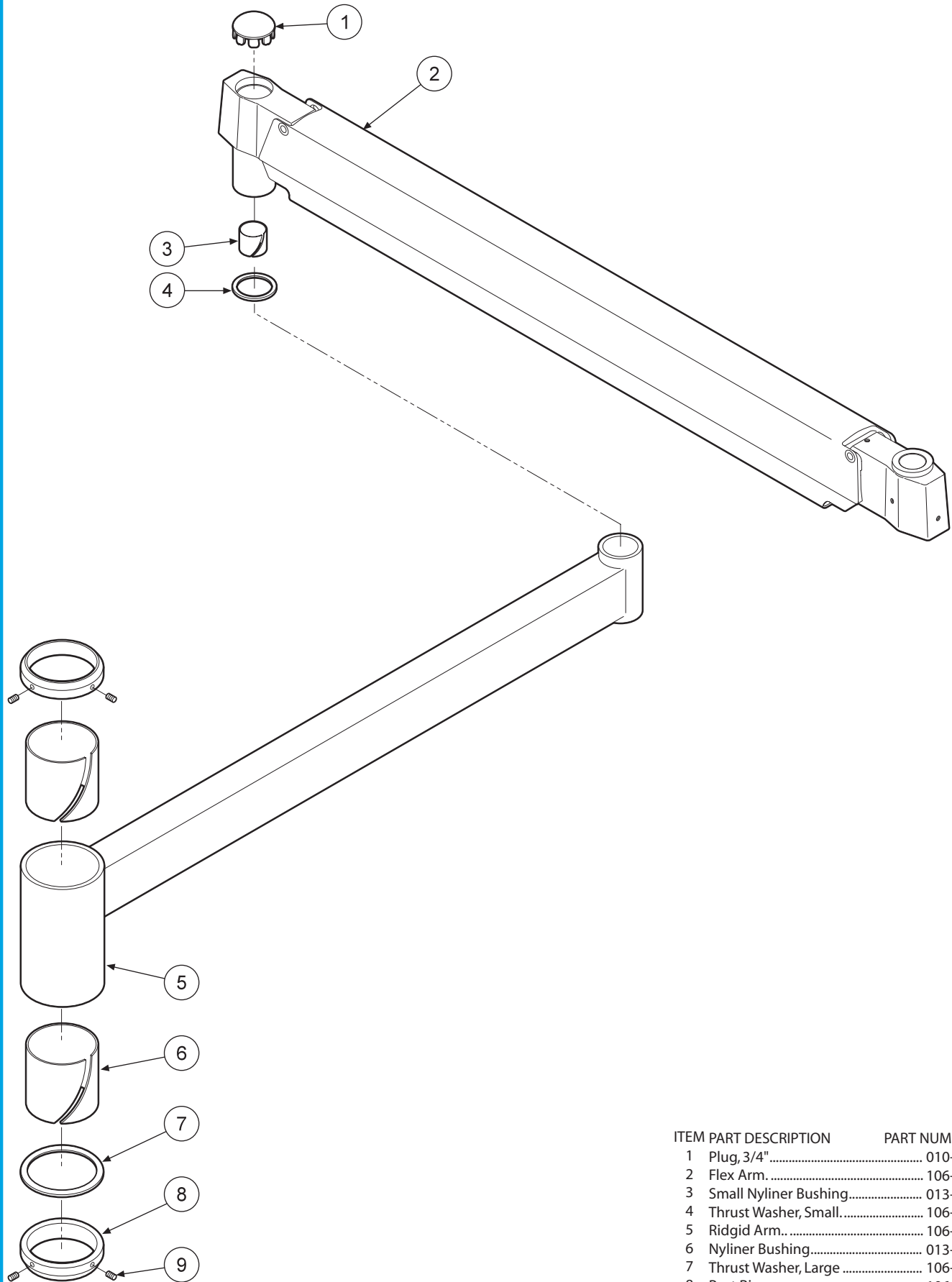


### WARNING

The arm system is spring loaded. Before removing the safety tie strap, firmly grasp the flex arm and hold down.

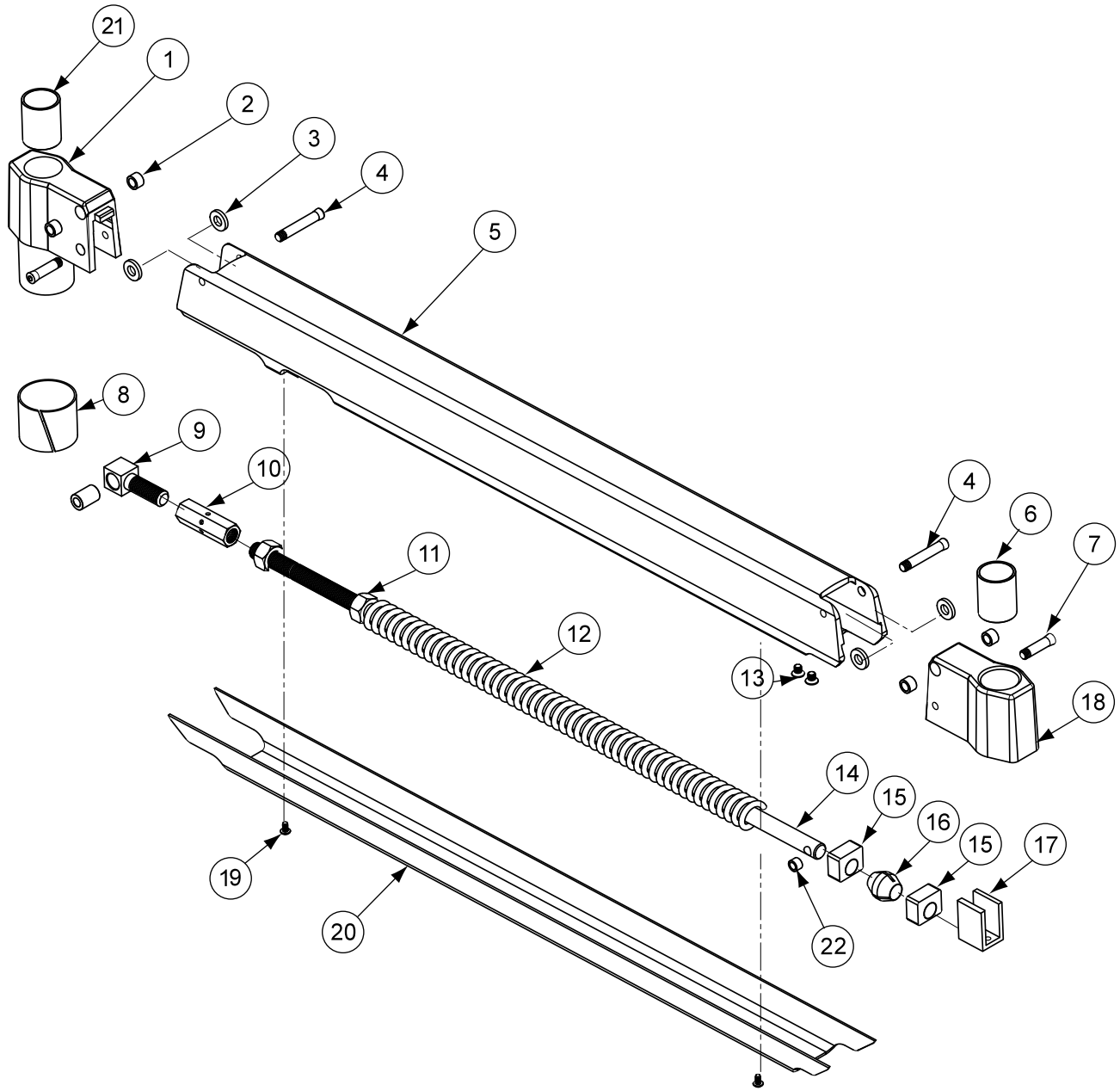
5. Cut the safety tie strap and carefully release the arm system.
6. To adjust the tension on the manual flex arm, remove the arm housing cover and locate the tension nut, refer to item 11 of the IPB 106-216 Flex Arm. Make your adjustment using a 5/8" open end wrench.
7. To adjust the level of the tray, remove the arm housing cover on the manual flex arm and locate the adjustment nut, refer to item 10 of the IPB 106-216 Flex Arm. Make your adjustment using a modified 9/16" open end wrench (BSD p/n 010-030).



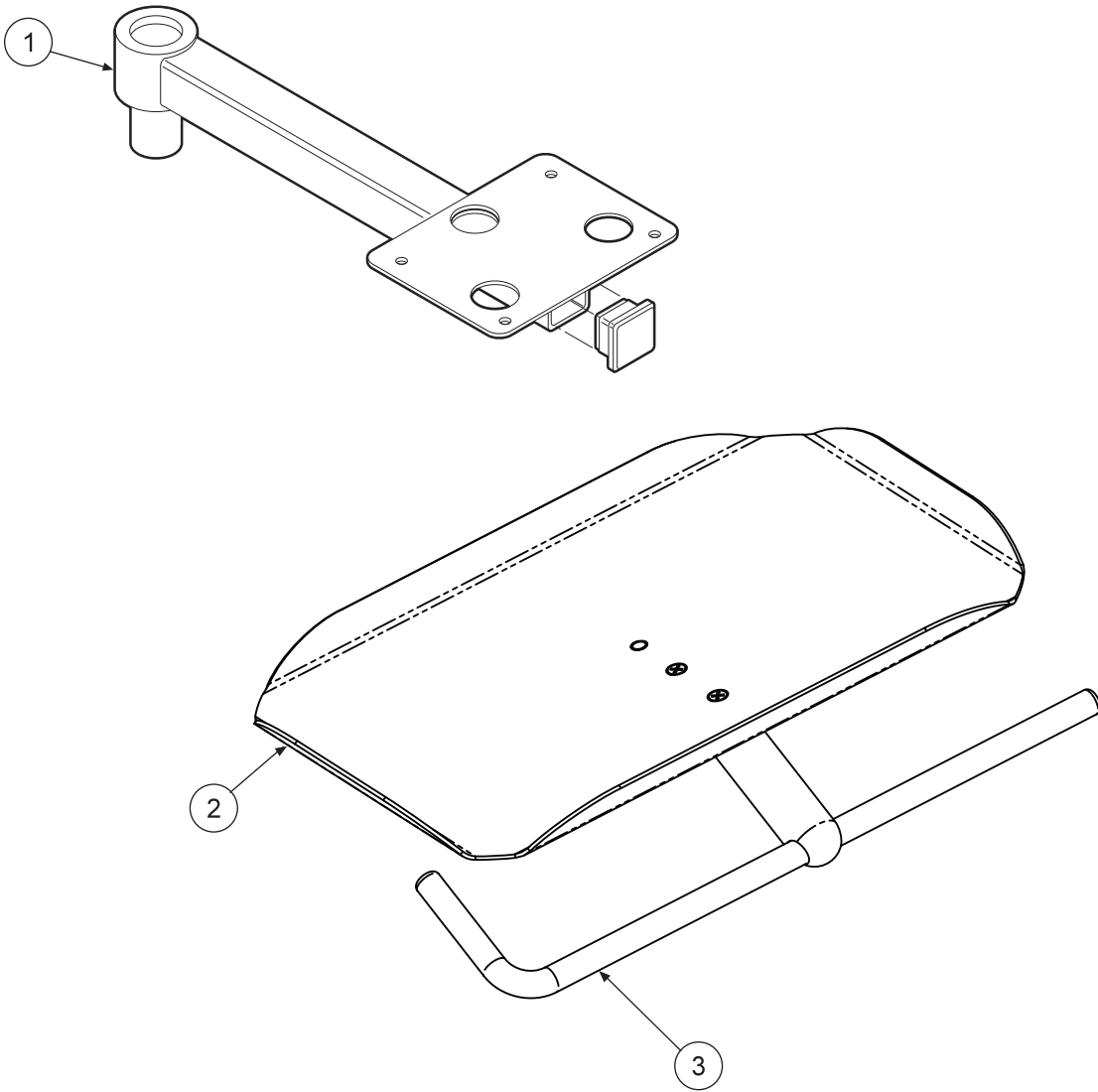


ITEM	PART DESCRIPTION	PART NUMBER	QTY
1	Plug, 3/4"	010-005	1
2	Flex Arm.	106-216	1
3	Small Nyliner Bushing.....	013-012	1
4	Thrust Washer, Small.....	106-333	1
5	Ridgid Arm.....	106-031	1
6	Nyliner Bushing.....	013-007	2
7	Thrust Washer, Large .....	106-334	1
8	Post Ring.....	106-028	2
9	Set Screw, 8-32 x 3/16"	005-021	4

**POST MOUNT FLEX ARM SYSTEM  
W/FRICTION BRAKE  
106-220**



ITEM	PART DESCRIPTION	PART NUMBER	QTY	ITEM	PART DESCRIPTION	PART NUMBER	QTY	ITEM	PART DESCRIPTION	PART NUMBER	QTY
1	Arm Pivot.....	106-228	1	8	Nyliner Bushing.....	013-012	1	15	Friction Cup.....	106-010	2
2	Bushings, Flex Arm.....	013-020	4	9	Rod End.....	106-015	1	16	Friction Cone.....	106-012	1
3	Pivot Bushing, 1/4" x 1-1/8".....	003-036	4	10	Adjusting Nut.....	106-011	2	17	Spring Stop.....	106-009	1
4	Pin, Housing Mech Flex.....	009-013	2	11	Tension Nut.....	002-019	1	18	Flex Arm Knuckle.....	106-229	1
5	Arm Housing.....	106-234	1	12	Spring.....	008-016	1	19	Screw 6-32 x 1/4".....	001-133	1
6	Arm Pivot Bushing.....	013-018	1	13	Screw 10-32 x 1/4".....	001-087	2	20	Arm Housing Cover.....	106-235	1
7	Pin, Tapered, Threaded.....	009-004	2	14	Rod.....	106-007	1	21	Plug.....	010-005	1
								22	Bushing.....	013-004	1



ITEM	PART DESCRIPTION	PART NUMBER	QTY
1	Control.....	106-203	1
2	Tray holder with holder bar.....	105-065	1
3	Holder bar.....	105-006	1

**TRAY AND MOUNT  
105-065 AND 106-203**



## WARRANTY

BDS warrants its product to be free of defects in material and workmanship for SEVEN FULL YEARS from the date of purchase on all units. Auto-blocks and standard foot controls are covered by a LIFETIME warranty when factory installed as part of a complete dental system. Upholstery has a TWO YEAR warranty and does not cover normal wear, stains, cuts or tears. Our LED lights have a FIVE year Warranty and our halogen light has a ONE year Warranty. Operatory chair motors feature a TEN year warranty. All warranty is limited to repair or replacement by BDS. Products returned to the factory and determined to be defective will be repaired or replaced free of charge at discretion of BDS. The warranty does not cover light bulbs, electrical components and trimmed or installed tubing. BDS reserves the right to void all warranties if any product is installed by other than an authorized technician. BDS' warranty does not cover damage to any surface finish, including but not limited to, discoloration or abrasion from cleaners, disinfectants or light sources. No claim for labor or consequential damages will be allowed. Return items must include a copy of the invoice or packing slip as proof of purchase.

**Beaverstate Dental Inc.  
115 S. Elliott Rd.  
Newberg, OR 97132  
800-237-2303  
503-538-8756  
503-538-2845 Fax  
[www.beaverstatedental.com](http://www.beaverstatedental.com)**

---