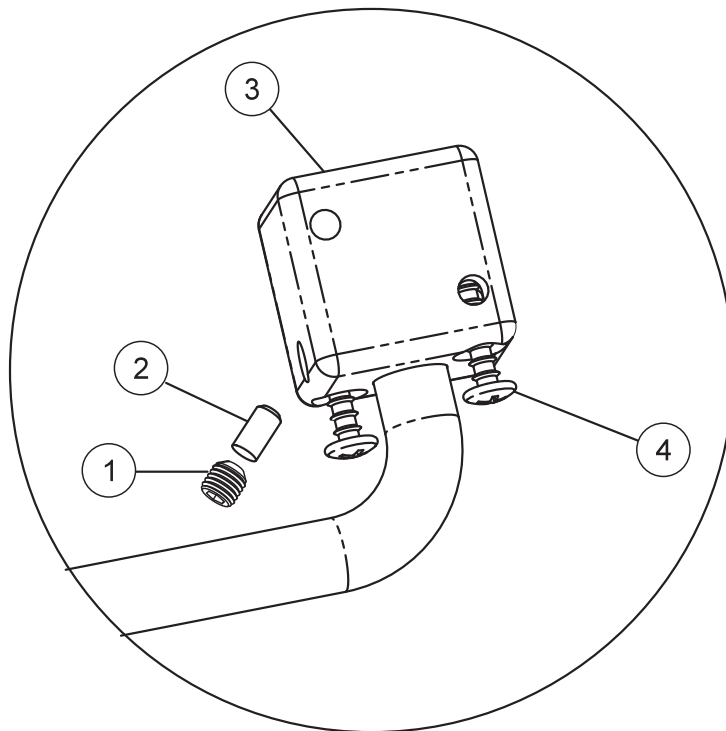


Place pivot pin in it's desired location and trace the two holes to the surface and drill two pivot holes using a 9/64" drill bit (be careful not to drill through the surface).

Mounting Template
Hole Pattern
Scale: Full



ITEM	PART DESCRIPTION	PART NUMBER	QTY
1	Set Screw, 1/4-28 x .25"	005-014	1
2	Slug	105-172	4
3	Pivot	105-171	4
4	Wood Screw, #8 x 1.25"	001-009	2