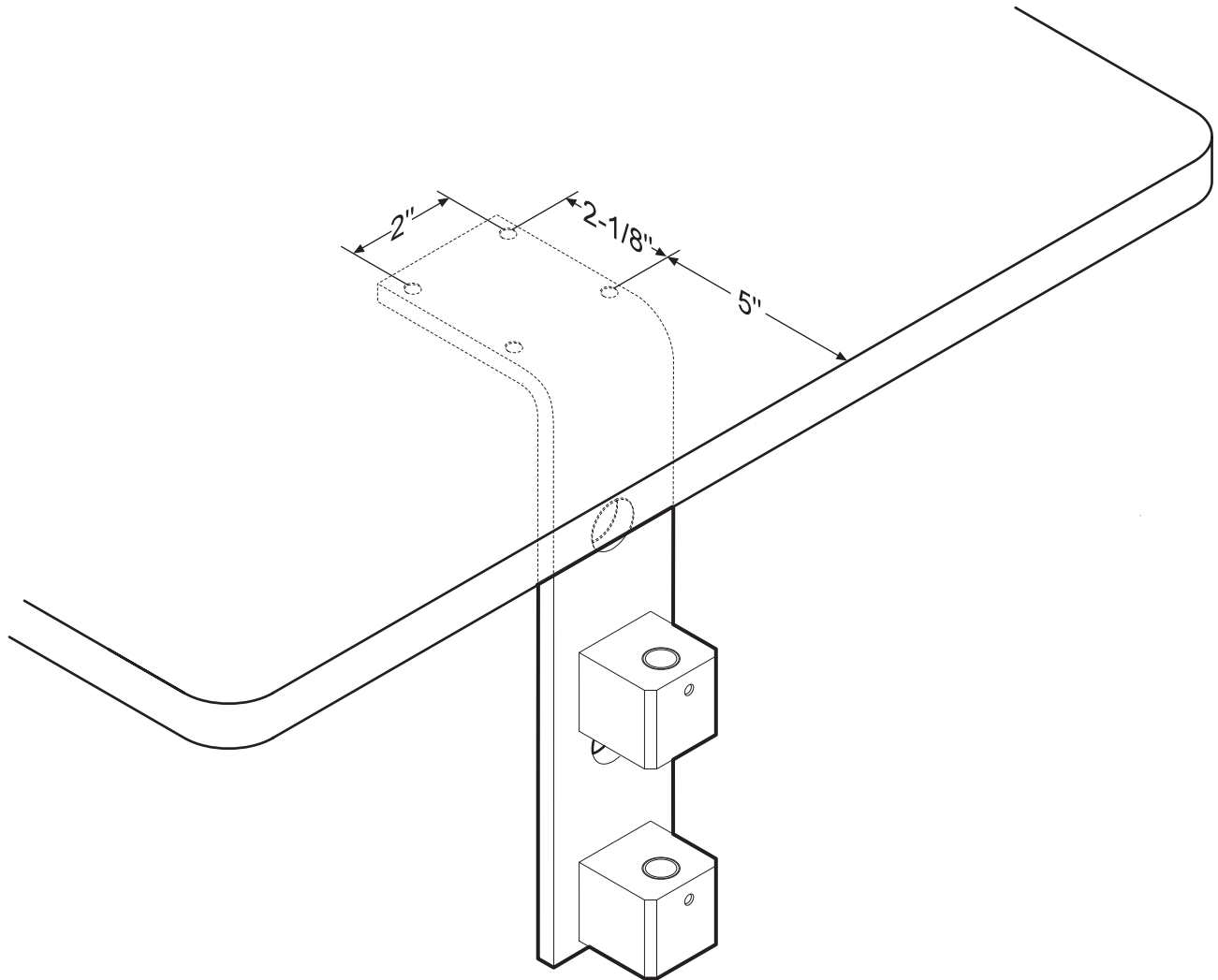


MOUNTING INSTRUCTIONS
FOR THE 105-120 MOUNTING BRACKET



IMPORTANT

For best results, insert four (4) 4 x 1/4-20 Tee-nuts into the underside of the shelf which will support the 105-120 mounting bracket.