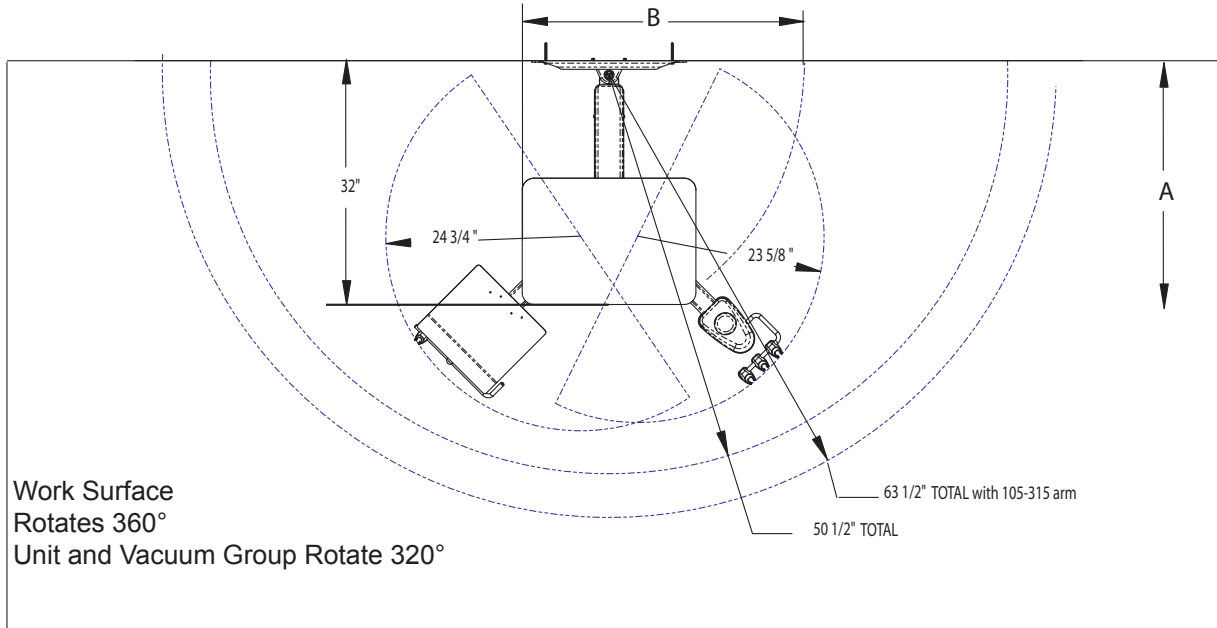




BEAVERSTATE DENTAL SYSTEMS

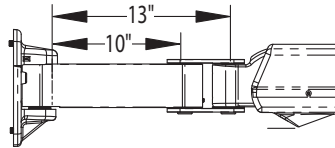
RD-4250 Dimensions



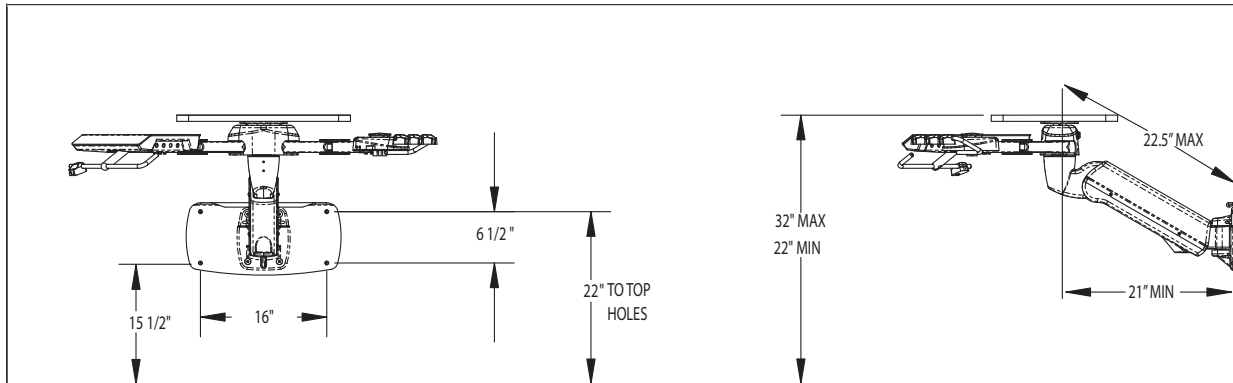
Work Surface
Rotates 360°
Unit and Vacuum Group Rotate 320°

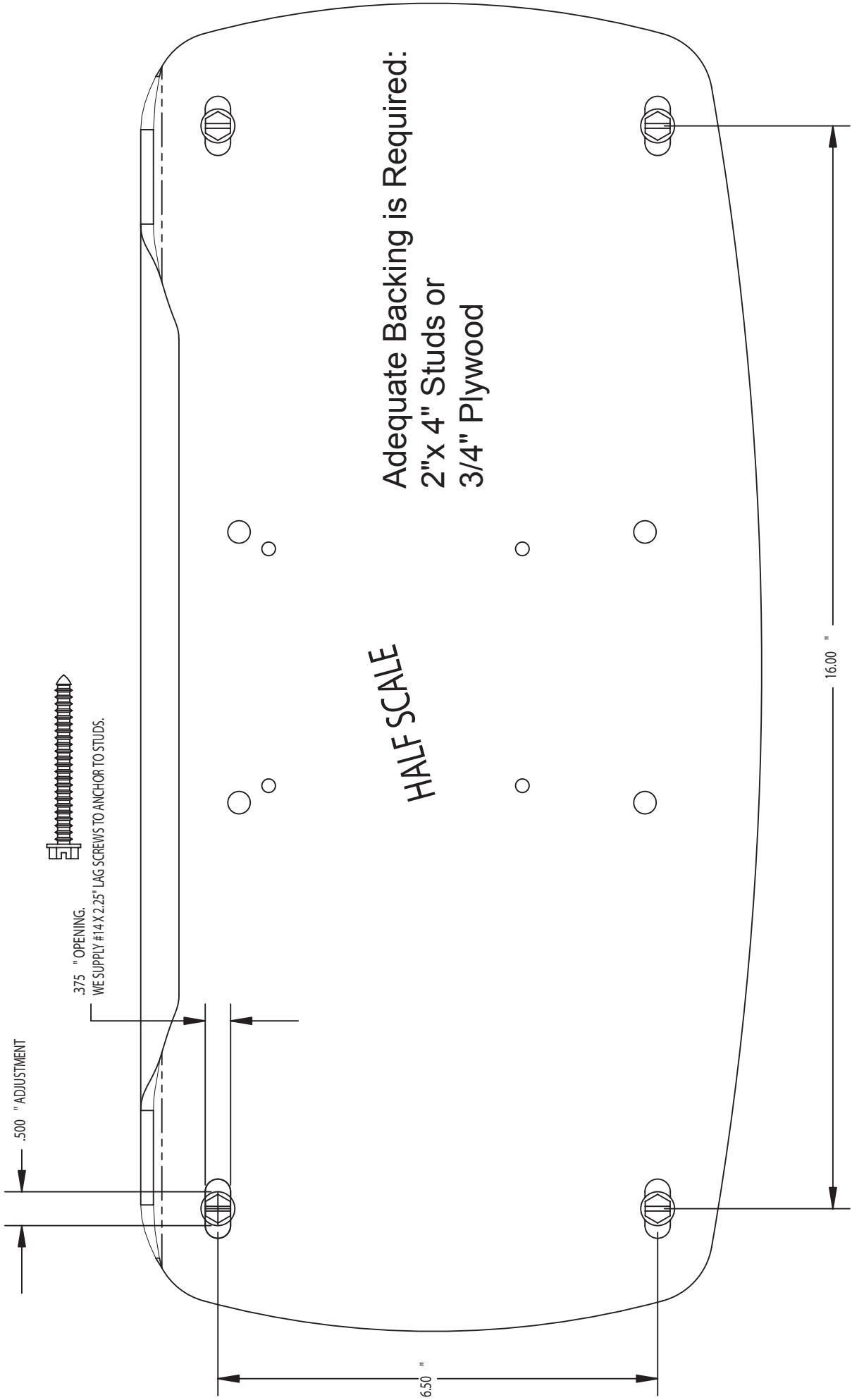
NOTE
Addition of horizontal extension arm (p/n 105-315) adds 13"

A. Minimum folded distance from the wall without the 105-315 is 22". With the 105-315 it is 25".



B. Minimum folded distance along the wall without the 105-315 is 40". With the 105-315 it is 30".





.500" ADJUSTMENT



HALF SCALE

Adequate Backing is Required:
2" x 4" Studs or
3/4" Plywood

6.50"

16.00"