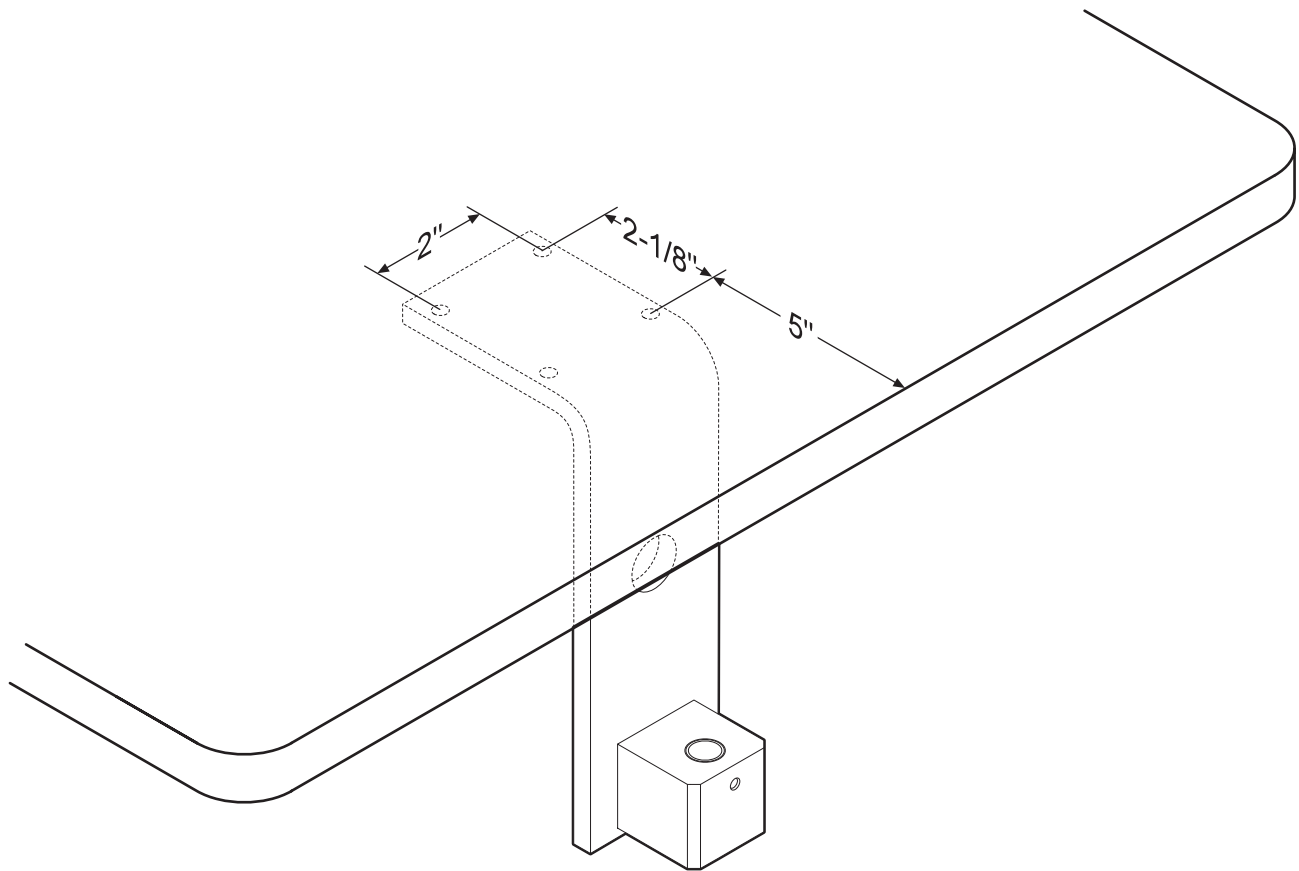


MOUNTING INSTRUCTONS
FOR THE 105-130 MOUNTING BRACKET



IMPORTANT
For best results, insert four (4) 4 x 1 1/4-20
into the underside of the underside of the shelf
which will support the 105-130 mounting bracket