



BEAVERSTATE DENTAL SYSTEMS

# Utility Center Template & Guide for Plumbing & Electrical Connections

## FUNCTIONS

### Manual Shut-off Valves

The shut-off valves control the flow of air and water into the master shut-off valves.

### Filters

Filters are placed in-line to prevent any particulants from entering the unit.

### Pressure Gauge

Indicates the amount of pressure flowing into the unit.

### Master Shut-off Valves

Allows air and water to flow when the unit is turned on and prevents any air and water from flowing when the unit is turned off. These valves are activated by the master toggle on the unit head.

### Pressure Flow Adjustment

Controls the amount of air and water flowing into the unit.

## SERVICE & MAINTENANCE

### Filter Element Check and Replacement (See FIGURE 2 for breakdown of master valve.)

The filter element may become clogged and restrict flow to the unit. Using a 5/8" or an adjustable wrench, loosen the compression nut in the manual shut-off valve and pull apart the master shut-off valve. Remove the inlet cap on the master shut-off-valve. Carefully remove the o-ring and the filter element. Clean it using an ultrasonic cleaner. To confirm the air filter has been effectively cleaned watch the air pressure gauge, depress the syringe air button. If the pressure drops by 15 psi, the filter element is clogged. Repeat the process by holding down the syringe water button and watching the water gauge. If the pressure drops by 10 psi the filter is clogged. Replace with a new element if both of these tests prove the filter element is clogged.

### Pressure Flow Adjustment (see FIGURE 3)

To adjust the pressure, loosen the adjusting nut using a 3/8" wrench. Insert a 3/32" allen wrench into the adjustment screw and turn it clock-wise to increase the flow and counter clock-wise to decrease the flow. Tighten the adjusting nut when the pressure is back to the factory setting.

### Dimensions (see FIGURE 1)

## IMPORTANT

All plumbing and electrical connections must conform to your local building codes and ordinances. Many areas require the installation of a back flow preventer in the water line before it reaches the dental system. Check your local plumbing codes and ordinance requirements regarding the installation of such a device. Contact your builder before installing any plumbing or electrical fixtures.

Air pressure is set at 80 psi, water is set at 40 psi from the factory. To get the maximum performance from your system, these settings must not be changed.

115 S. Elliott Rd.  
Newberg, OR 97132  
800.237.2303  
503.538.2845 Fax  
900-259 5/9/13

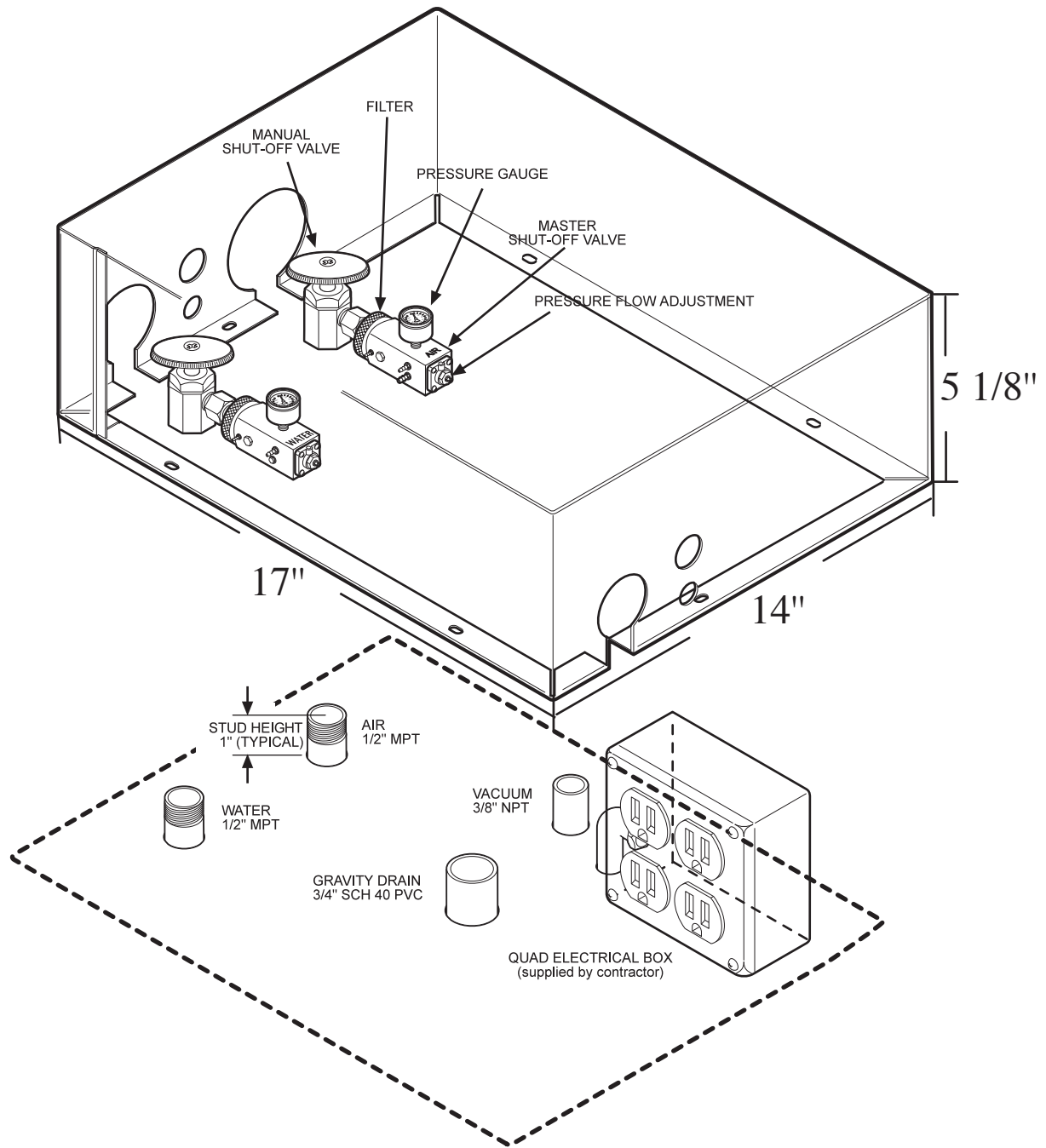


FIGURE 1. Installation

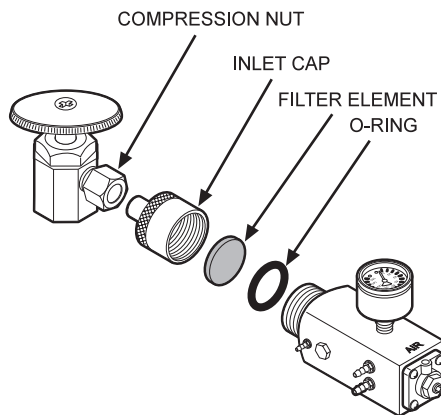


FIGURE 2. Filter Element Replacement

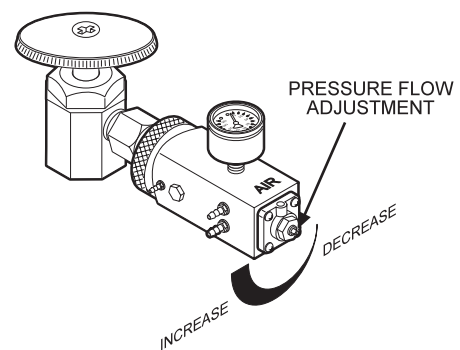


FIGURE 3. Pressure Flow Adjustment