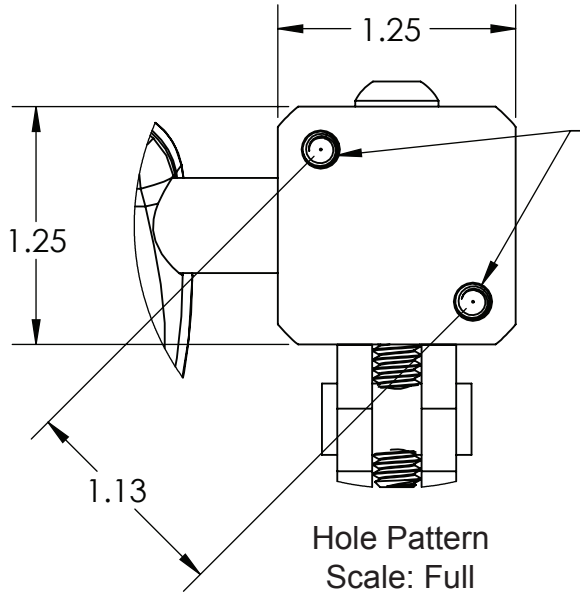


Installation Template for 105-190



PLACE PIVOT PIN IN IT'S DESIRED LOCATION AND TRACE THE TWO HOLES TO THE UNDERSIDE SURFACE AND DRILL TWO PILOT HOLES USING A 9/64" DRILL BIT (BE CAREFULL NOT TO DRILL THRU TOP SIDE OF COUNTER).

