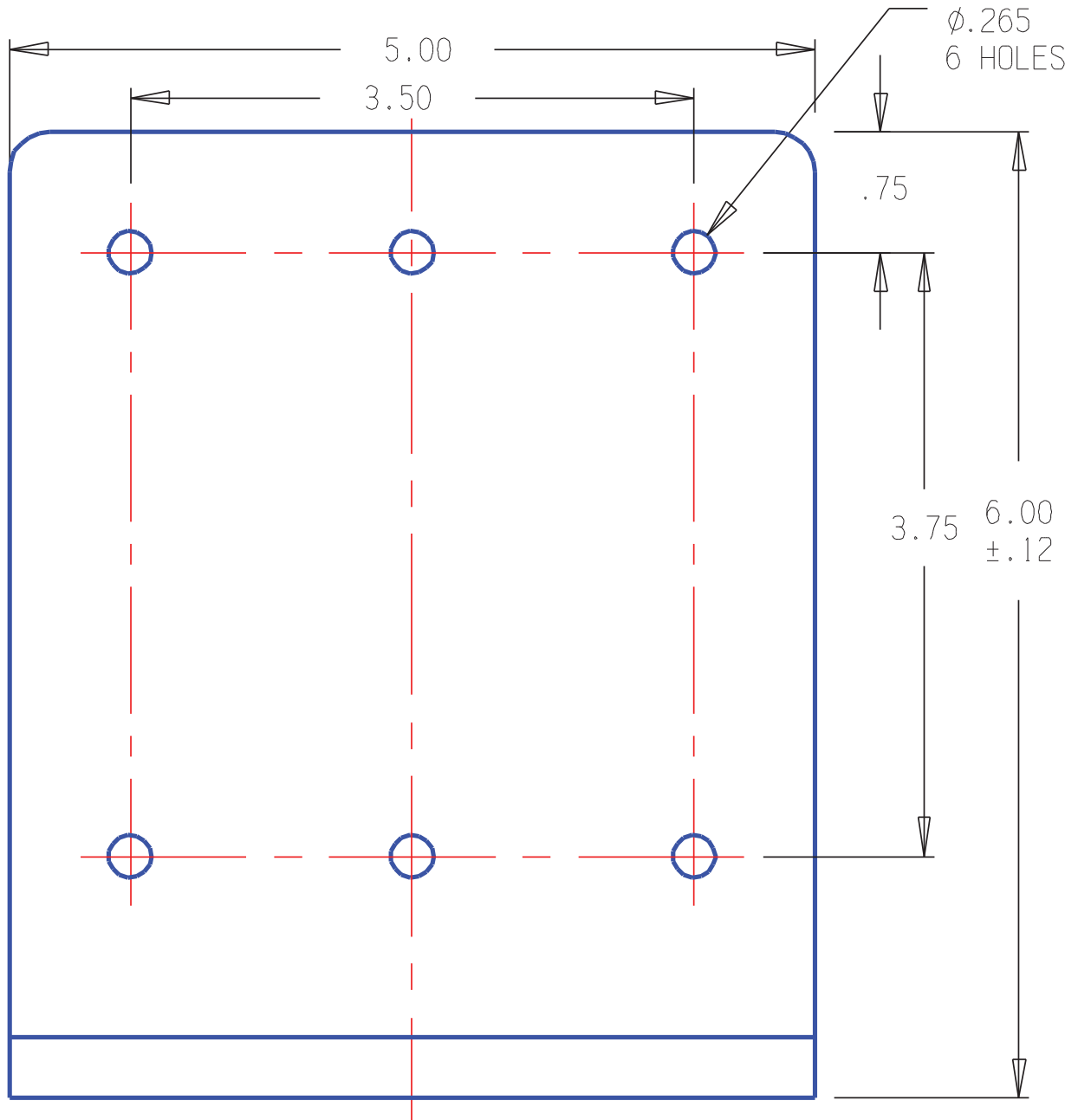


**MOUNTING INSTRUCTIONS**  
106-205 MOUNTING BRACKET



**IMPORTANT**  
For best results, insert four (4) #14 x 2-1/2" Hex Washer Head, Slotted Screws