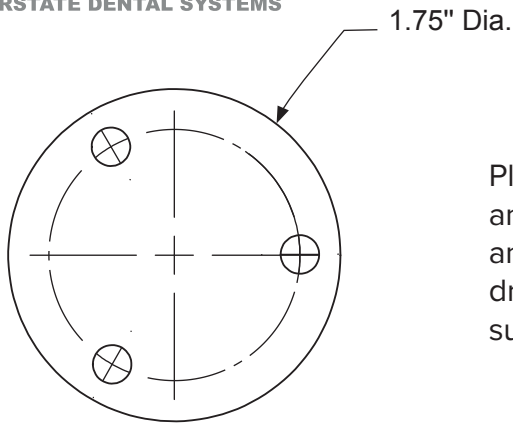


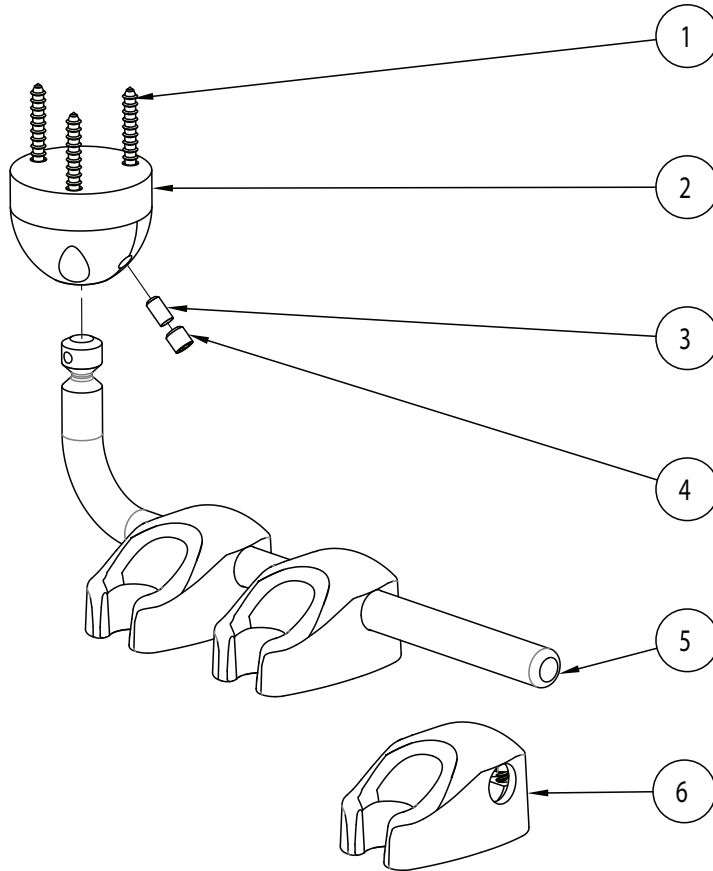


BEAVERSTATE DENTAL SYSTEMS



Mounting Template  
Hole Pattern  
Scale: Full

Place pivot pin in it's desired location and trace the three holes to the surface and drill three pivot holes using a 1/8" drill bit (be careful not to drill through the surface).



ITEM	PART DESCRIPTION	PART NUMBER	QTY
1	Screw, #10 x 1.5"	001-188	3
2	Round Pivot Under Counter Mount	105-171	1
3	Slug	105-172	1
4	Set Screw, 1/4-28 x 1/4"	005-014	1
5	Holder Bar 8.5"	105-173	1
	Holder Bar 10.5"	105-176	1
6	Syringe Holder	141-200	3