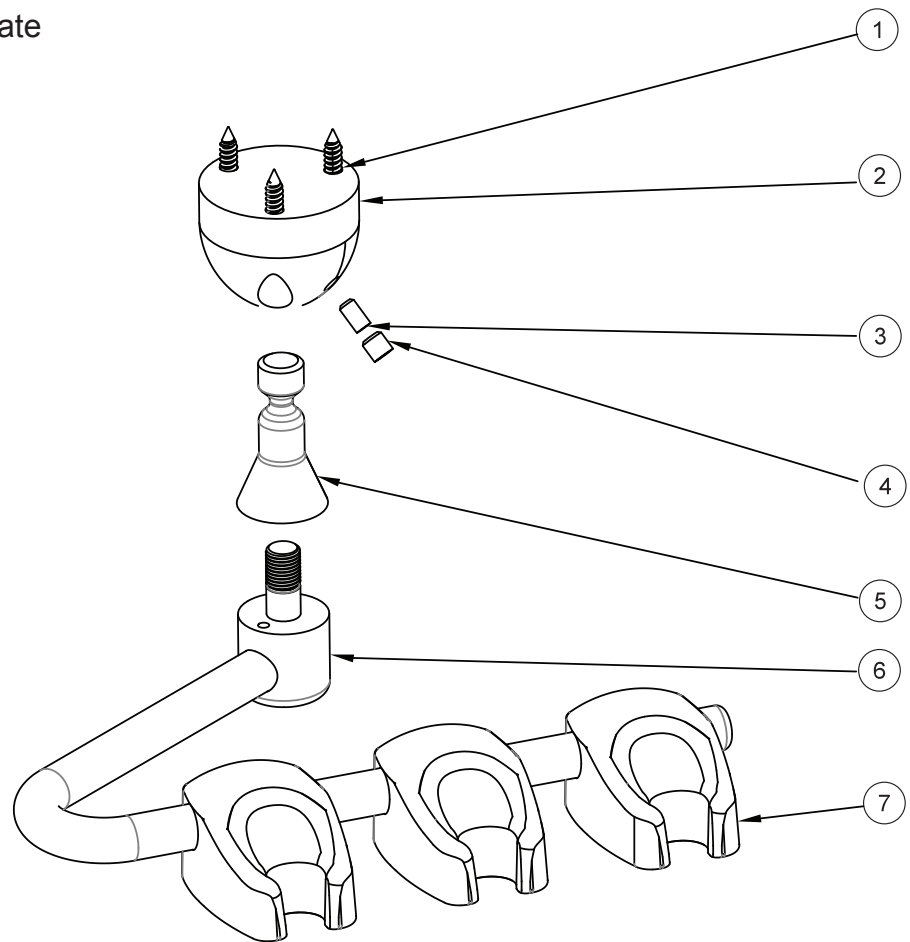


Mounting Template
Hole Pattern
Scale: Full

Place pivot pin in it's desired location and trace the three holes to the surface and drill three pivot holes using a 1/8" drill bit (be careful not to drill through the surface).



ITEM	PART DESCRIPTION	PART NUMBER	QTY
1	Screw, #10 x 1"	.001-188	3
2	Round Pivot Under Counter Mount	.105-171	1
3	Slug	.105-172	1
4	Set Screw, 1/4"-28 x 1/4"	.005-014	1
5	Adapter	.105-228	1
6	Holder Bar 7"	.105-223	1
	Holder Bar 9"	.105-227	
7	Molded Holder	.141-200	3

MOUNTING TEMPLATE & IPB FOR PIVOTING HOLDER BARS
105-153 (7" Bar with Holders) 105-154 (7" Bar & Mount) 105-155 (9" Bar & Mount)